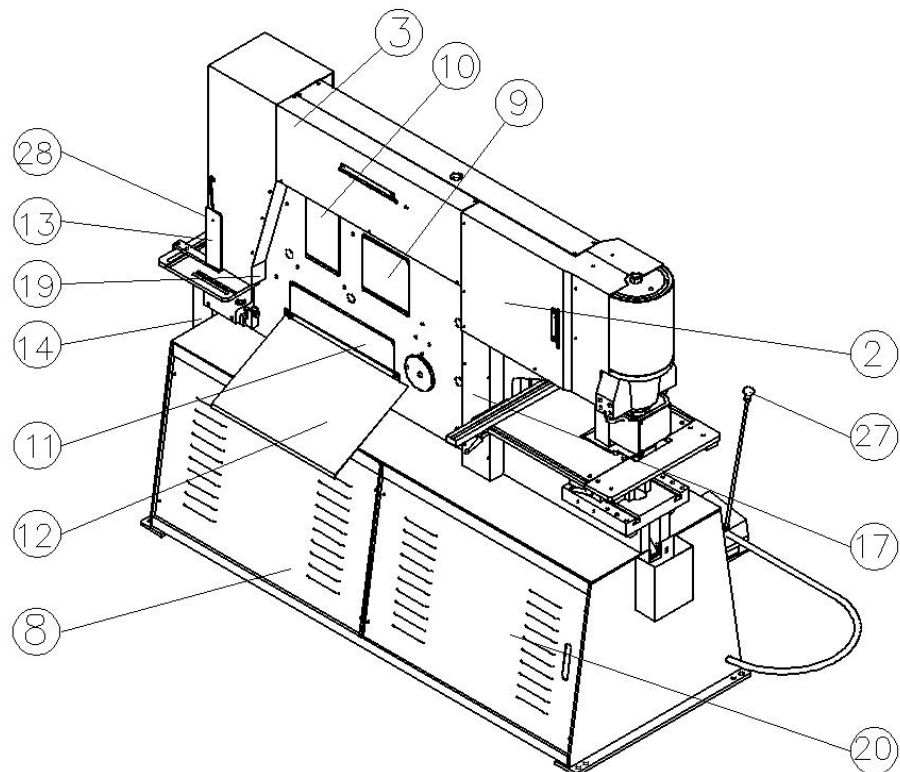
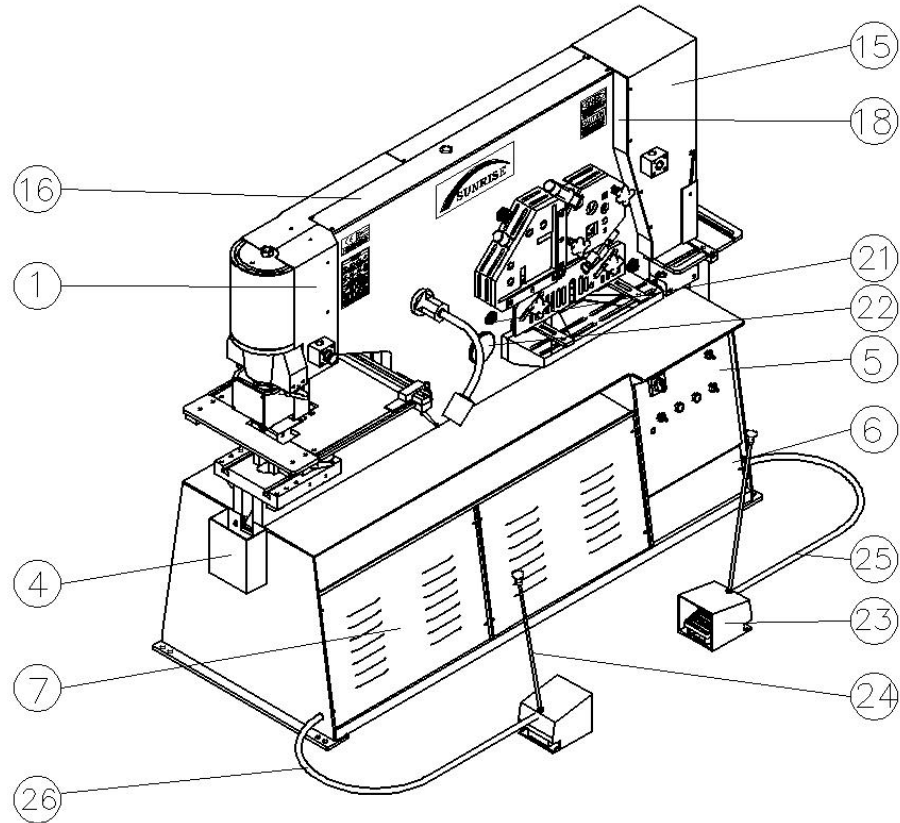


IW - 100S/SD



IW-S/SD-A.dwg 12/2013



SUNRISE Fluid Power Inc.

No. 7, Road 12, Industrial Zone, Taichung City 407, Taiwan

Tel: 886-4-2359-1190

Fax: 886-4-2359-3409

sales@sunriseiw.com.tw

www.sunriseiw.com.tw

Sunrise Ironworker Parts List

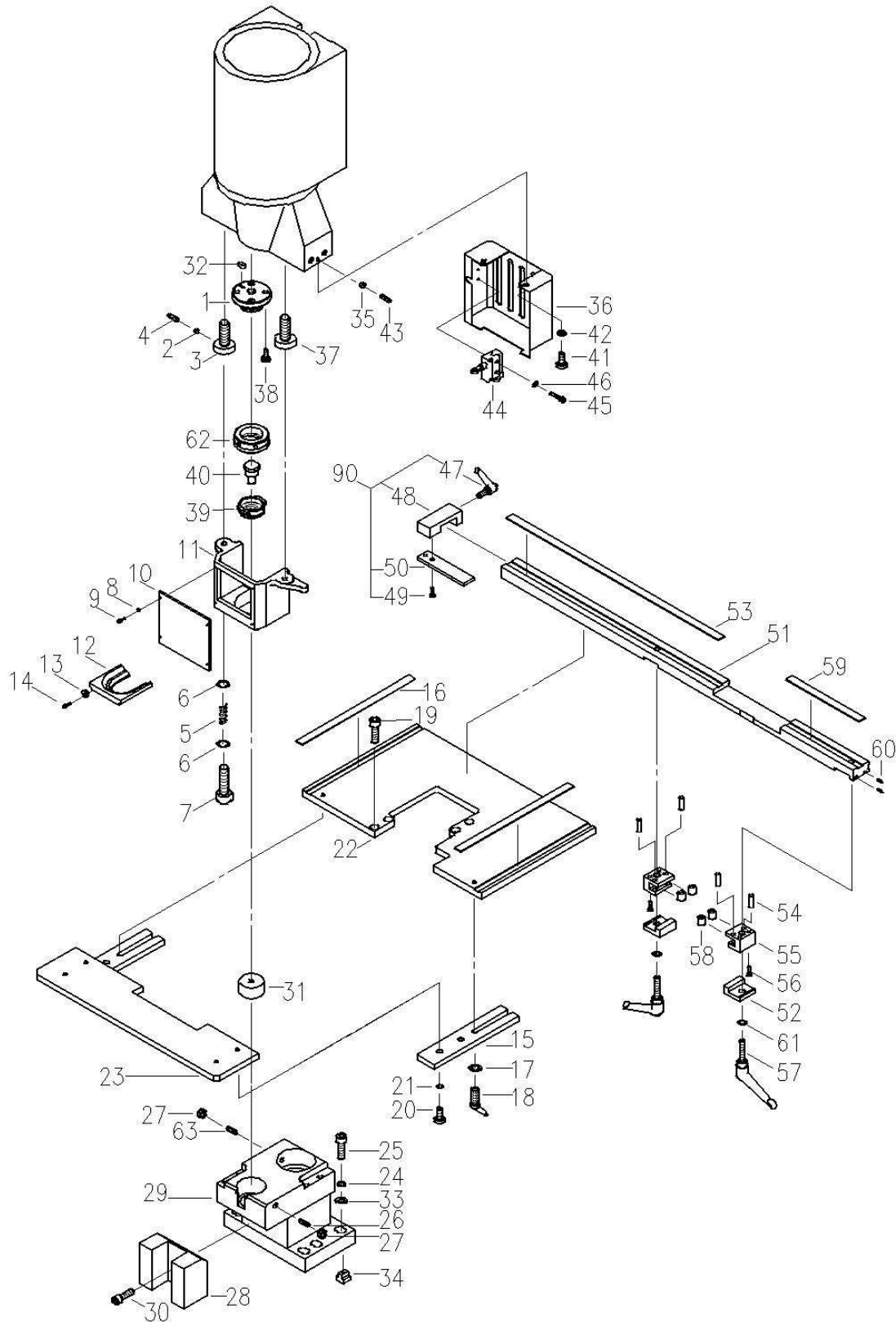
Model: IW-100S/ SD

Part: Cover Plates

Date: 02/2012

| Item | Part Number | Description | 產品名稱 | Q'ty | Memo |
|------|---|--|------------------------------|--------|------|
| 1 | 213402005C | Punching Cylinder Cover A | 沖孔油壓缸護蓋 A | 1 | |
| 2 | 100S: 213402030 100SD: 213502009 | Punching Cylinder Cover B | 沖孔油壓缸護蓋 B | 1 | |
| 3 | 100S: 213402007B 100SD: 213502006B | Shearing Limit Switch Cover | 剪切限動調整護蓋 | 1 | |
| 4 | 211302021A | Scrap Box For Punching | 沖孔鐵屑盒 | 1 | |
| 5 | 213602902A 213602023E 213602024A 212602019B 52414APL93902 | Electrical Box | 電氣箱總成 | 1 | |
| 6 | 213402003A | Front Base Cover | 電氣箱底座護蓋 | 1 | |
| 7 | 100S: 213402001A 100SD: 213502003A | Front Base Cover | 底座前蓋 | 1 2 | |
| 8 | 100S: 213402002 100SD: 213502002 | Rear Base Cover A | 底座後蓋 A | 1 | |
| 9 | 213402015 | Safety Guard for Angle Shear | 剪角鐵護板 | 1 | |
| 10 | 213402017 | Safety Guard for Bar Shear | 剪圓方護板 | 1 | |
| 11 | 213402016 | Safety Guard for Flat Shear | 剪平板護板 | 1 | |
| 12 | 213402018A | Flat Bar Shear Back Plate | 滑料片 | 1 | |
| 13 | 213402033B | Safety Guard For Notching | 剪角安全護板 | 1 | |
| 14 | 211302022 | Scrap Box For Notching | 剪角鐵屑盒 | 1 | |
| 15 | 213402032B | Notching Cylinder Cover | 剪角油壓缸護蓋 | 1 | |
| 16 | 100S: 213402004C 100SD: 213502007C | Top Cover | 上護蓋 | 1 | |
| 17 | 213402027 | Hose Cover | 配管套蓋(電動定位尺) | 1 | |
| 18 | 213402009 | Notching Side Cover A (Front) | 護蓋固定板 A (前) | 1 | |
| 19 | 213402010 | Notching Side Cover B (Rear) | 護蓋固定板 B (後) | 1 | |
| 20 | 100S: 213402019 100SD: 213502004 | Rear Base Cover B | 底座後蓋 B | 1 | |
| 21 | 213410005 211310008B | Adjust Pushing Screw Adjust Pushing Nut | 壓塊固定螺絲 壓塊固定螺帽 | 5 | |
| 22 | 213410001A | Main Pivot Pin | 支持點心軸 | 1 | |
| 23 | 52413YC135D | Foot Switch YC-135D(CE) | 腳踏開關 | 2 | |
| 24 | 213210008 | Foot Switch Handle | 腳踏開關提桿 | 2 | |
| 25 | 100S: 56320G0061400A 100SD: 56320G0061600A | Foot Switch Cable 3/8"X1400mm Foot Switch Cable 3/8"X1600mm | 電線保護管 1400mm 電線保護管 1600mm | 1 | |
| 26 | 56320G0061300A | Foot Switch Cable 3/8"X1300mm | 電線保護管 1300mm | 1 | |
| 27 | 56314118036M10 | Waist Shaped Knobs 1180-36-M10 | 凹槽式旋鈕 | 2 | |
| 28 | 213402034 | Notching Clear Cover | 剪角壓克力護板 | 1 | |

Punching Station Assembly for Double Cylinder Models





SUNRISE Fluid Power Inc.

No. 7, Road 12, Industrial Zone, Taichung City 407, Taiwan

Tel: 886-4-2359-1190

Fax: 886-4-2359-3409

sales@sunriseiw.com.tw

www.sunriseiw.com.tw

Sunrise Ironworker Parts List

Model: IW-100S/SD, 125S/SD,165SD Part: Punching Station Date: 02/2012

| Item | Part Number | Description | 產品名稱 | Q'ty | Memo |
|------|-------------------------------------|---|--|------------|------|
| 1 | 42RTBQA | Retaining Thread | 螺紋塊 | 1 | |
| 2 | 211305090 | 212211009 | Copper Piece | 銅墊 | 1 |
| 3 | | 211305005B | Stripper Adj. Screw (2) | 剝料器調整螺桿(二) | 1 |
| 4 | | 56301C0006010 | Set Screw M6X10 | 止付內六角螺栓 | 1 |
| 5 | | 211305006 | Stripper Spring | 沖孔剝料器彈簧 | 1 |
| 6 | | 56303D00012024045 | Flat Washer M12 | 平墊圈 | 2 |
| 7 | | 56301A0012090 | Hex Bolt M12X90 | 六角承窩頭螺栓 | 1 |
| 8 | 42STBD | 56303A00005 | Spring Washer M5 | 彈簧墊圈 | 4 |
| 9 | | 56301A0005012 | Hex Bolt M5X12 | 六角承窩頭螺栓 | 4 |
| 10 | | 42STBC002 | Stripper Clear Cover | 剝料器安全護板 | 1 |
| 11 | | 42STBC006A | Stripper | 沖孔剝料器 | 1 |
| 12 | | 42STBC003A-20 42STBC003A-42 42STBC003A-52 | Stripper Exchangeable Plate | 剝料器底板 | 1 |
| 13 | | 42STBC004 | Washer | 墊片 | 2 |
| 14 | | 56301I0005008 | Cap Screw M5X8 | 半圓內六孔 | 2 |
| 15 | | 212205005C | Table Connecting Plate | 工作板組合塊 | 2 |
| 16 | S: 213405110 SD: 213505110 | S: 213005006A SD: 213105002A | Punching Table Ruler 306mm Punching Table Ruler 506mm | 沖孔工作板Y軸標尺 | 2 |
| 17 | | 56303B11012025 | Flat Washer M10 | 平墊圈 | 2 |
| 18 | | 56315404192M1032 | Clamp Handle M10X32 | 萬向把手 | 2 |
| 19 | | 56301A0010020 | Hex Bolt M10X20 | 六角承窩頭螺栓 | 4 |
| 20 | | 56301A0010030 | Hex Bolt M10X30 | 六角承窩頭螺栓 | 4 |
| 21 | | 56303A00010 | Spring Washer M10 | 彈簧墊圈 | 4 |
| 22 | | S: 213005001C SD: 213105001D | Punching Table A (Main) | 沖孔工作板(A) | 1 |
| 23 | | 213405001A | Punching Table B (Front) | 沖孔工作板(B) | 1 |
| 24 | | 56303A00016 | Spring Washer M16 | 彈簧墊圈 | 6 |
| 25 | | 56301A0016060 | Hex Bolt M16X60 | 六角承窩頭螺栓 | 6 |
| 26 | 56301C7010060 | Set Screw M10X60 | 止付內六角螺栓 | 1 | |
| 27 | 56302B0110 | Nut M10 | 螺帽 | 2 | |
| 28 | 43B3DMWC | 43B1D005A | Die Holder Support | 下模座支持塊 | 1 |
| 29 | | 43B3DMW900D | Overhang Die Holder (Ø45/Ø80) | 雙孔沖孔座 | 1 |
| 30 | | 56301A0012020 | Hex Bolt M12X20 | 六角承窩頭螺栓 | 1 |



SUNRISE Fluid Power Inc.

No. 7, Road 12, Industrial Zone, Taichung City 407, Taiwan

Tel: 886-4-2359-1190

Fax: 886-4-2359-3409

sales@sunriseiw.com.tw

www.sunriseiw.com.tw

Model: IW-100S/SD, 125S/SD, 165SD Part: Punching Station Date: 02/2012

| Item | Part Number | Description | 產品名稱 | Q'ty | Memo | |
|------|---------------------------------------|-------------------------|--------------------------------------|------------|------|--|
| 31 | 41RD1 | Die | 圓孔下模 | 1 | | |
| 32 | 56305D00606018 | Locating Key | 雙頭圓鍵 | 1 | | |
| 33 | 56303D00016032045 | Flat Washer M16 | 平墊圈 | 6 | | |
| 34 | 213405005 | T-Shaped Nut M16 | T形螺帽 | 6 | | |
| 35 | 213205010 | Copper Piece | 銅墊 | 2 | | |
| 36 | 213202034 | Stripper Rear Guard | 剝料器護板 | 1 | | |
| 37 | 211305004B | Stripper Adj. Screw (1) | 剝料器調整螺桿(一) | 1 | | |
| 38 | 56301A0012025 | Hex Bolt M12X25 | 六角承窩頭螺栓 | 4 | | |
| 39 | 42RSBQ30A 42RSBQM40B 42RSBQM50B | Quick Change Sleeve | 快拆上模套環 | 1 | | |
| 40 | 41RP1 | Punch | 圓孔上模 | 1 | | |
| 41 | 56301A0006010 | Hex Bolt M6X10 | 六角承窩頭螺栓 | 2 | | |
| 42 | 56303A00006 | Spring Washer M6 | 彈簧墊圈 | 2 | | |
| 43 | 56301C0010020 | Set Screw M10X20 | 止付內六角螺栓 | 2 | | |
| 44 | 52411AZ7312 | Limit Switch | 微動開關 | 1 | | |
| 45 | 56301A0004025 | Hex Bolt M4X25 | 六角承窩頭螺栓 | 2 | | |
| 46 | 56303B10005010 | Flat Washer M4 | 平墊圈 | 2 | | |
| 47 | 213005141 | 56315404163M1020 | Clamp Handle M10X20 | 萬向把手 | 1 | |
| 48 | | 213205004 | Stopper Piece | X軸定位板 | 1 | |
| 49 | | 56301F0006016 | Sunk Head Hex Bolt M6X16 | 皿頭六角承窩螺栓 | 2 | |
| 50 | | 212205007S1 | Stopper Piece | 沖孔定位塊 | 1 | |
| 51 | | 213205018B | Punching Stopper Guide | Y軸定位板 | 1 | |
| 52 | | 213205020 | Stopper Guide Base | 定位板固定滑塊 | 2 | |
| 53 | | 213005015 | Punching Stopper Guide Ruler 602.5mm | Y軸定位尺標尺(左) | 1 | |
| 54 | | 56306R0080030 | Pin Ø8X30 | 直銷 Ø8X30 | 4 | |
| 55 | | 213205019 | Stopper Y-axis Guide | Y軸定位滑座 | 2 | |
| 56 | | 56301A4006030 | Hex Bolt M6X30 | 六角承窩頭螺栓 | 4 | |
| 57 | | 56315404192M1050 | Clamp Handle M10X50 | 萬向把手 | 2 | |
| 58 | | 56309DTA815 | Needle Bearing TA815 | 滾針軸承 TA815 | 4 | |
| 59 | | 213005014 | Punching Stopper Guide Ruler 207.5mm | Y軸定位尺標尺(右) | 1 | |
| 60 | | 56301C0005008 | Set Screw M5X8 | 止付內六角螺栓 | 2 | |
| 61 | | 56303B11012025 | Flat Washer M10 | 平墊圈 | 2 | |



SUNRISE Fluid Power Inc.

No. 7, Road 12, Industrial Zone, Taichung City 407, Taiwan

Tel: 886-4-2359-1190

Fax: 886-4-2359-3409

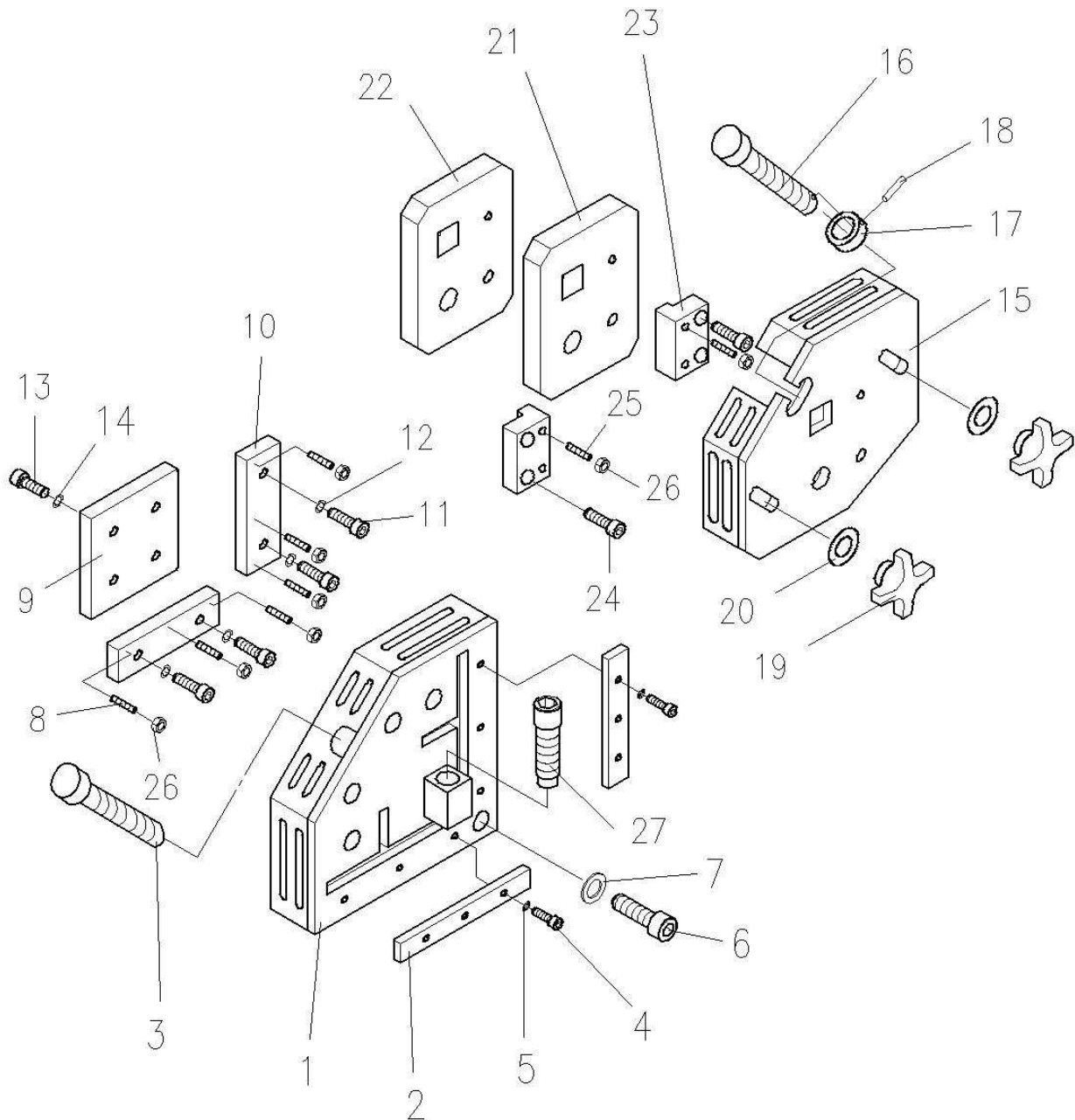
sales@sunriseiw.com.tw

www.sunriseiw.com.tw

Model: IW-100S/SD, 125S/SD,165SD Part: Punching Station Date: 02/2012

| Item | Part Number | Description | 產品名稱 | Q'ty | Memo |
|------|---------------|----------------------|---------|------|------|
| 62 | 42RNBQA | Retaining Nut | 沖頭鎖緊螺帽 | 1 | |
| 63 | 56301C7010045 | Set Screw M10X45 | 止付內六角螺栓 | 1 | |
| | | | | | |
| 90 | 213005121S | Punching Stopper Set | 沖孔定位塊組 | 1 | |
| | | | | | |
| | | | | | |
| | | | | | |
| | | | | | |
| | | | | | |
| | | | | | |
| | | | | | |
| | | | | | |
| | | | | | |
| | | | | | |
| | | | | | |
| | | | | | |

Angle and Bar Shear Station for Double Cylinder Models



PART3807.dwg 04/2011



SUNRISE Fluid Power Inc.

No. 7, Road 12, Industrial Zone, Taichung City 407, Taiwan

Tel: 886-4-2359-1190

Fax: 886-4-2359-3409

sales@sunriseiw.com.tw

www.sunriseiw.com.tw

Sunrise Ironworker Parts List

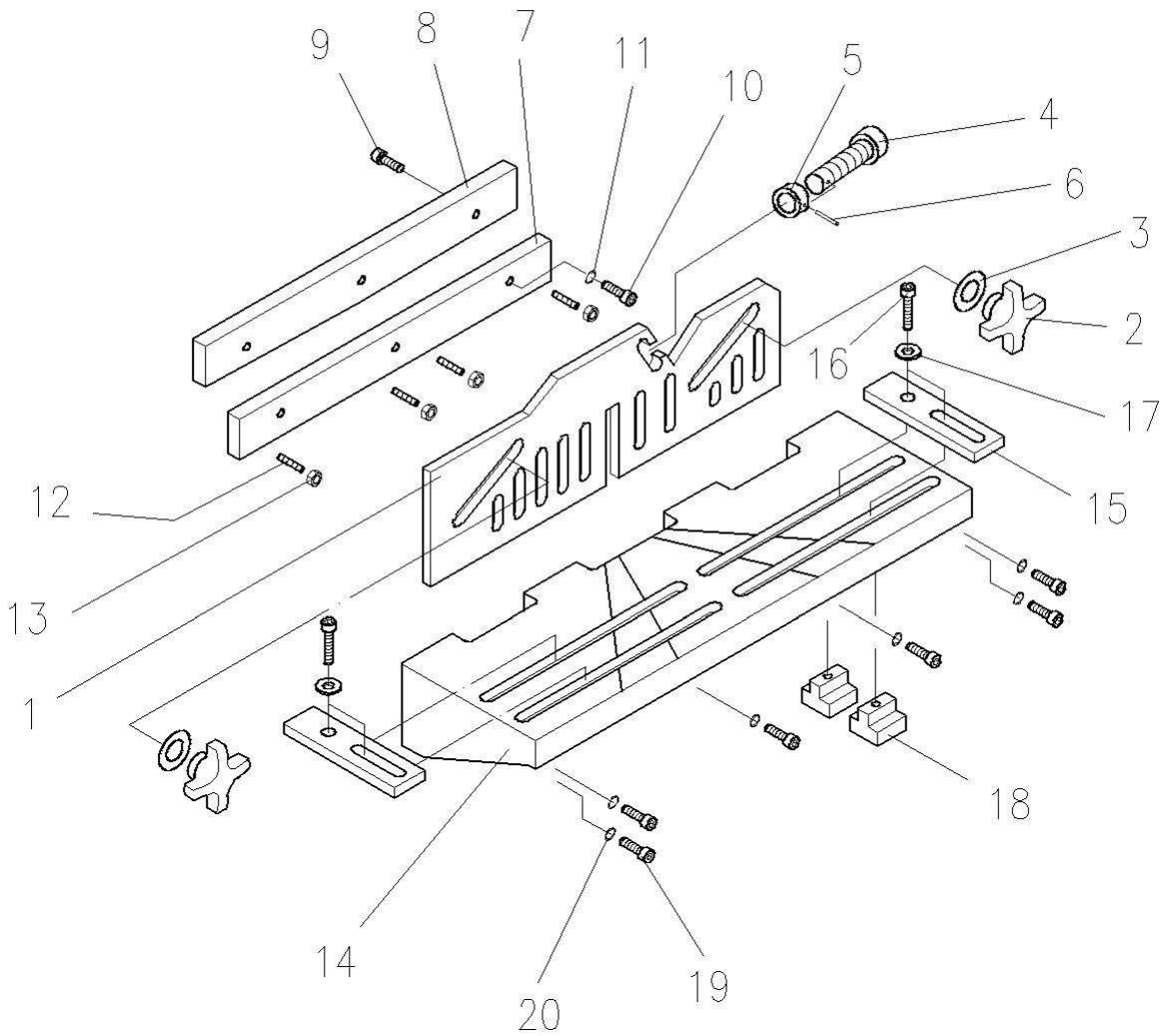
Model: IW-100S/SD

Part: Angle and Bar Shear Station

Date: 02/2012

| Item | Part Number | Description | 產品名稱 | Q'ty | Memo |
|------|-------------------|--------------------------------|--------------------------|-------------|------|
| 1 | 213407900B | 213407001 | Angle Shear Holddown | 角鐵剪切座 | 1 |
| | | 213007004 | | | |
| | | 213402013C | | | |
| | | 213402014B | | | |
| | | 213207005A | | | |
| 2 | 212407004A | Angle Holddown Adjusting Plate | L型鐵座調整塊 | 2 | |
| 3 | 212410008 | Angle Holddown Screw | L型鐵座調整螺桿 | 1 | |
| 4 | 56301A0010025 | Hex Bolt M10X25 | 六角承窩頭螺栓 | 6 | |
| 5 | 56303A00010 | Spring Washer M10 | 彈簧墊圈 | 6 | |
| 6 | 56301A0020030 | Hex Bolt M20X30 | 六角承窩頭螺栓 | 5 | |
| 7 | 56303B00020037040 | Flat Washer M20 | 平墊圈 | 5 | |
| 8 | 56301C8010040 | Set Screw M10X40 | 止付內六角螺絲 | 6 | |
| 9 | 213207004C | Angle Shear Moving Blade | 角鐵剪切刀具(活動) | 1 | |
| 10 | 213207001B | Angle Shear Stationary blade | 角鐵剪切刀具(固定) | 2 | |
| 11 | 56301A0016050 | Hex Bolt M16X50 | 六角承窩頭螺栓 | 4 | |
| 12 | 56303A00016 | Spring Washer M16 | 彈簧墊圈 | 4 | |
| 13 | 56301A0016055 | Hex Bolt M16X55 | 六角承窩頭螺栓 | 3 | |
| 14 | 56303A00016 | Spring Washer M16 | 彈簧墊圈 | 3 | |
| 15 | 213409900 | 213209003 | Rd/Sq Shear Holddown | 圓方壓板 | 1 |
| | | 213402022 | | | |
| | | 213402023 | | | |
| 16 | 213210900 | 213210009 | Shear Holddown Screw | 平板,圓方壓塊移動螺桿 | 1 |
| 17 | | 211310011 | Holddown Screw End Piece | 調整螺桿拉塊 | 1 |
| 18 | | 56306S0060030 | Spring Pin Ø6X30 | 彈簧銷 | 1 |
| 19 | 56314DIN633576 | Fix Nut for Holddown | 十字旋鈕(不銹鋼) | 2 | |
| 20 | 56303B11020040 | Flat Washer M16 | 平墊圈 | 2 | |
| 21 | 213209001 | Rd/Sq Shear Stationary Blade | 圓方刀具(固定) | 1 | |
| 22 | 213209002 | Rd/Sq Shear Moving Blade | 圓方刀具(活動) | 1 | |
| 23 | 211309004 | Rd/Sq Shear Blade Fix Plate | 圓方刀具固定塊 | 2 | |
| 24 | 56301A0012020 | Hex Bolt M12X20 | 六角承窩頭螺栓 | 4 | |
| 25 | 56301C8010050 | Set Screw M10X50 | 止付內六角螺絲 | 4 | |
| 26 | 56302B0110 | Nut M10 | 螺帽 | 10 | |
| 27 | 213207006A | Angle Holddown Screw | L型鐵座調整螺桿 | 1 | |

Flat Shear Station for IW-60H & IW-S/SD



PART3008A.dwg 04/2010



SUNRISE Fluid Power Inc.

No. 7, Road 12, Industrial Zone, Taichung City 407, Taiwan

Tel: 886-4-2359-1190

Fax: 886-4-2359-3409

sales@sunriseiw.com.tw

www.sunriseiw.com.tw

Sunrise Ironworker Parts List

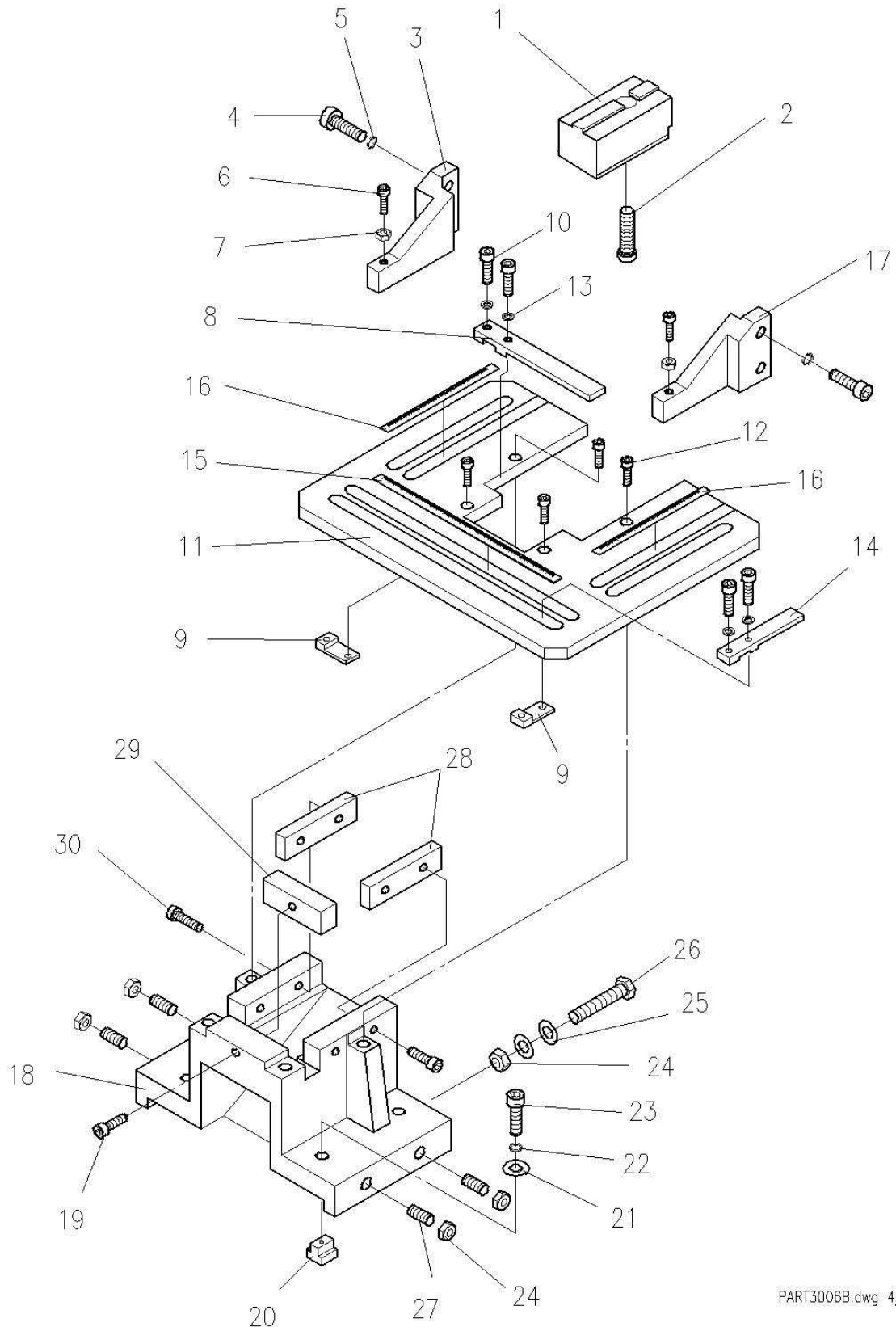
Model: IW-100S/SD

Part: Flat Shear Station

Date: 02/2012

| Item | Part Number | Description | 產品名稱 | Q'ty | Memo |
|------|-------------------|------------------------|--------------------------|-------------|------|
| 1 | 212408003C | Flat Shear Holddown | 平板剪切壓板 | 1 | |
| 2 | 56314DIN633576 | Fix Nut for Holddown | 十字旋鈕(不銹鋼) | 2 | |
| 3 | 56303B11020040 | Flat Washer M16 | 平墊圈 | 2 | |
| 4 | 213210900 | 213210009 | Shear Holddown Screw | 平板,圓方壓塊移動螺桿 | 1 |
| 5 | | 211310011 | Holddown Screw End Piece | 調整螺桿拉塊 | 1 |
| 6 | | 56306S0060030 | Spring Pin Ø6X30 | 彈簧銷 | 1 |
| 7 | 212408001D | Flat Shear Lower Blade | 平板剪切刀具(固定) | 1 | |
| 8 | 212408002C | Flat Shear Upper Blade | 平板剪切刀具(活動) | 1 | |
| 9 | 56301A0014035 | Hex Bolt M14X35 | 六角承窩頭螺栓 | 4 | |
| 10 | 56301A0014080 | Hex Bolt M14X80 | 六角承窩頭螺栓 | 4 | |
| 11 | 56303A00014 | Spring Washer M14 | 彈簧墊圈 | 4 | |
| 12 | 56301C8012070 | Set Screw M12X70 | 止付內六角螺栓 | 8 | |
| 13 | 56302B0112 | Nut M12 | 螺帽 | 8 | |
| 14 | 213408001B | Flat Shear Table | 平板支持座 | 1 | |
| 15 | 213208002A | Flat Shear Stopper | 平板固定塊 | 2 | |
| 16 | 56301A0012035 | Hex Bolt M12X35 | 六角承窩頭螺栓 | 4 | |
| 17 | 56303D00012024045 | Flat Washer M12 | 平墊圈 | 4 | |
| 18 | 211305012 | T-Shaped Nut | T形螺帽 | 4 | |
| 19 | 56301A0012050 | Hex Bolt M12X50 | 六角承窩頭螺栓 | 7 | |
| 20 | 56303A00012 | Spring Washer M12 | 彈簧墊圈 | 7 | |
| | | | | | |
| | | | | | |
| | | | | | |
| | | | | | |
| | | | | | |
| | | | | | |
| | | | | | |
| | | | | | |
| | | | | | |
| | | | | | |
| | | | | | |

Notching Station Assembly for Double Cylinder Models



PART3006B.dwg 4/2010



SUNRISE Fluid Power Inc.

No. 7, Road 12, Industrial Zone, Taichung City 407, Taiwan

Tel: 886-4-2359-1190

Fax: 886-4-2359-3409

sales@sunriseiw.com.tw

www.sunriseiw.com.tw

Sunrise Ironworker Parts List

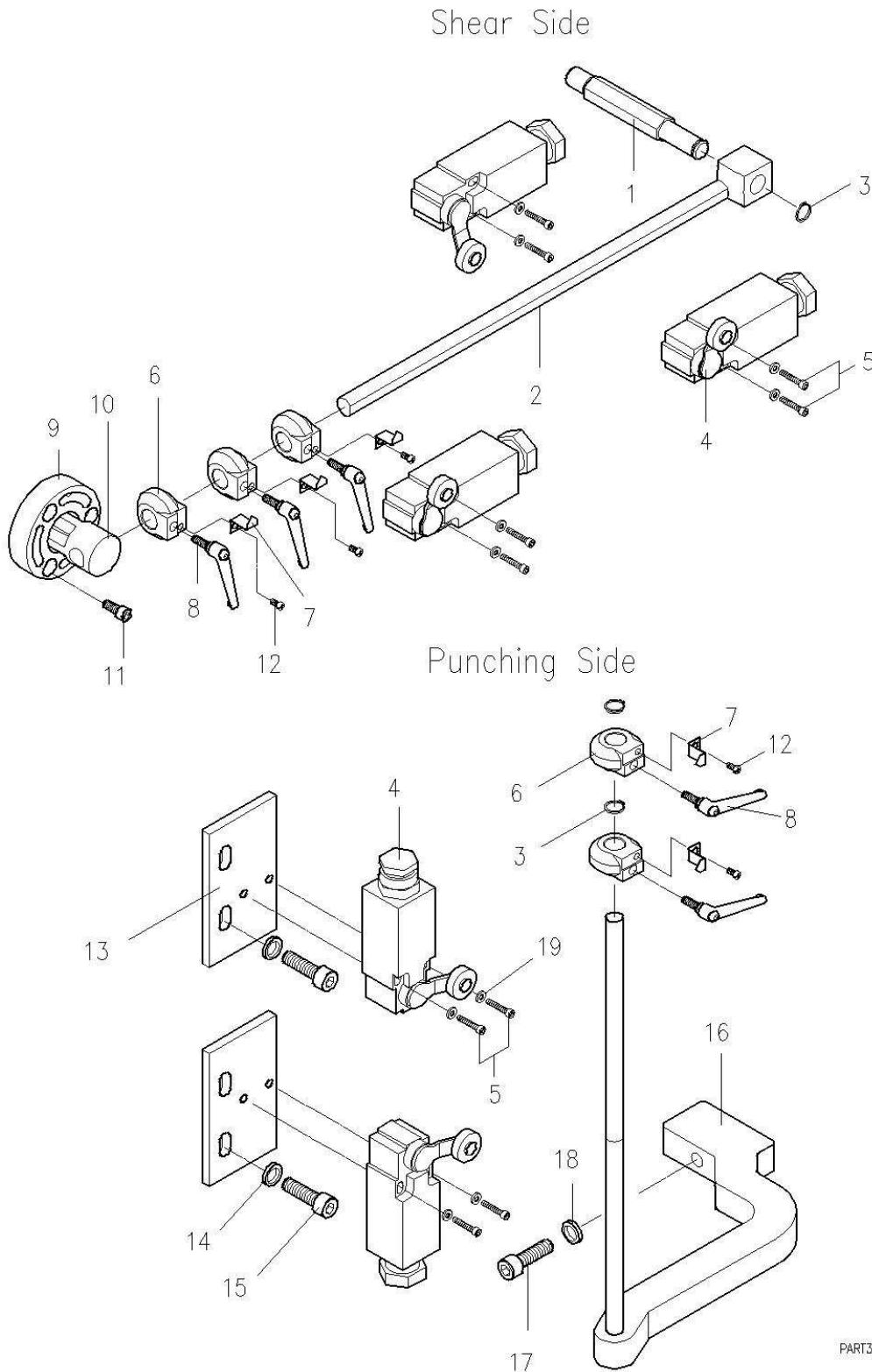
Model: IW-100S/SD,125S/SD

Part: Notching Station

Date: 02/2012

| Item | Part Number | Description | 產品名稱 | Q'ty | Memo | |
|------|-------------------|---------------------------|------------------------------|---------|------|--|
| 1 | 213406001B | Notcher Top Blade | 方形剪角上刀(TOP) | 1 | | |
| 2 | 56301A0018050 | Hex Bolt M18X50 | 六角承窩頭螺栓 | 1 | | |
| 3 | 211306004A | Notching Stripper (left) | 剪角剝料器(左) | 1 | | |
| 4 | 56301A0012035 | Hex Bolt M12X35 | 六角承窩頭螺栓 | 4 | | |
| 5 | 56303A00012 | Spring Washer M12 | 彈簧墊圈 | 4 | | |
| 6 | 56301A0008050 | Hex Bolt M8X50 | 六角承窩頭螺栓 | 2 | | |
| 7 | 56302B0108 | Nut M8 | 六角螺帽 | 2 | | |
| 8 | 213406100 | 213206003A | Stopper Plate (long) | 1 | | |
| 9 | | 211605009A | Clamping Plate | 2 | | |
| 10 | | 56301A0010040 | Hex Bolt M10X40 | 六角承窩頭螺栓 | 4 | |
| 11 | | 213406003A | Notching Table | 剪角工作板 | 1 | |
| 12 | | 56301A0008016 | Hex Bolt M8X16 | 六角承窩頭螺栓 | 4 | |
| 13 | | 56303A00010 | Spring Washer M10 | 彈簧墊圈 | 4 | |
| 14 | | 211606004B | Stopper Plate (Short) | 工作板定位塊 | 1 | |
| 15 | | 213206005B | Notching Table Ruler | 剪角X軸標尺 | 1 | |
| 16 | | 213206006A | Notching Stopper Guide Ruler | 剪角Y軸標尺 | 2 | |
| 17 | 211306005A | Notching Stripper (right) | 剪角剝料器(右) | 1 | | |
| 18 | 212406004C | Notching Bolster | 剪角下模座 | 1 | | |
| 19 | 56301A0010035 | Hex Bolt M10X35 | 六角承窩頭螺栓 | 1 | | |
| 20 | 211305012 | T-Shaped Nut M12 | T形螺帽 | 4 | | |
| 21 | 56303D00012024045 | Flat Washer M12 | 平墊圈 | 4 | | |
| 22 | 56303A00012 | Spring Washer M12 | 彈簧墊圈 | 4 | | |
| 23 | 56301A0012050 | Hex Bolt M12X50 | 六角承窩頭螺栓 | 4 | | |
| 24 | 56302B0112 | Nut M12 | 六角螺帽 | 6 | | |
| 25 | 56303D00012024045 | Flat Washer M12 | 平墊圈 | 4 | | |
| 26 | 56301E0012060 | Hex Bolt M12X60 | 外六角頭螺栓 | 2 | | |
| 27 | 56301C8012035 | Set Screw M12X35 | 止付內六角螺栓 | 4 | | |
| 28 | 211306002F | Notcher Side Blade | 方形剪角側刀 | 2 | | |
| 29 | 212406002B | Notcher Front Blade | 方形剪角前刀 | 1 | | |
| 30 | 56301A0010020 | Hex Bolt M10X20 | 六角承窩頭螺栓 | 4 | | |

Stroke Adjustment for Double Cylinder Models



PART3004B.DWG 05/2010



SUNRISE Fluid Power Inc.

No. 7, Road 12, Industrial Zone, Taichung City 407, Taiwan

Tel: 886-4-2359-1190

Fax: 886-4-2359-3409

sales@sunriseiw.com.tw

www.sunriseiw.com.tw

Sunrise Ironworker Parts List

Model: IW-100S/SD Part: Punch & Shear Limit Switch Adjustment Date: 02/2012

| Item | Part Number | Description | 產品名稱 | Q'ty | Memo |
|------|-------------------|-----------------------------------|---------|------|------|
| 1 | 212404020 | Shear Stroke Adjustment Screw | 剪切限動桿螺絲 | 1 | |
| 2 | 212604900 | Shear Stroke Adjustment Rod | 剪切限動桿 | 1 | |
| 3 | 56304S0012 | S Clip S-12 | S型扣環 | 3 | |
| 4 | 52411XCKN2118G11 | Limit Switch | 微動開關 | 5 | |
| 5 | 56301A0004030 | Hex Bolt M4X30 | 六角承窩頭螺栓 | 10 | |
| 6 | 213204007 | Limit Switch Actuator (Side) | 限動觸塊 | 5 | |
| 7 | 213204008 | Indicating Pointer | 限動桿指針 | 5 | |
| 8 | 56315404045M625 | Clamp Handle M6X25 | 萬向把手 | 5 | |
| 9 | 211304004A | Stroke Adjustment Rod End Base | 限動桿轉軸座 | 1 | |
| 10 | 211304005A | Stroke Adjustment Rod End Locator | 限動桿轉軸 | 1 | |
| 11 | 56301A0006016 | Hex Bolt M6X16 | 六角承窩頭螺栓 | 3 | |
| 12 | 56301H0004008 | Cap Screw M4X8 | 丸頭內六角螺絲 | 5 | |
| 13 | 213202024C | Limit Switch Adjustment Plate | 微動開關調整座 | 2 | |
| 14 | 56303B01008019015 | Flat Washer M8 | 平墊圈 | 4 | |
| 15 | 56301A0008016 | Hex Bolt M8X16 | 六角承窩頭螺栓 | 4 | |
| 16 | 213404900 | Punching Stroke Adjustment Bar | 沖孔限動桿 | 1 | |
| 17 | 56301A0008050 | Hex Bolt M8X50 | 六角承窩頭螺栓 | 1 | |
| 18 | 56303A00008 | Spring Washer M8 | 彈簧墊圈 | 1 | |
| 19 | 56303B10005010 | Flat Washer 5/32" | 平墊圈 | 10 | |
| | | | | | |
| | | | | | |
| | | | | | |
| | | | | | |
| | | | | | |
| | | | | | |
| | | | | | |
| | | | | | |
| | | | | | |
| | | | | | |